

TRIPLE RRU SUPPORT

ONLY FITS
ERICSSON EQUIPMENT

FITS ERICSSON RRU MODELS: RRUW, RRUS 01, RRUS 11

THE TRIPLE RRU SUPPORT KIT is designed for installation of three RRU units with possibility to attach a PSU on the back.

FLEXIBILITY

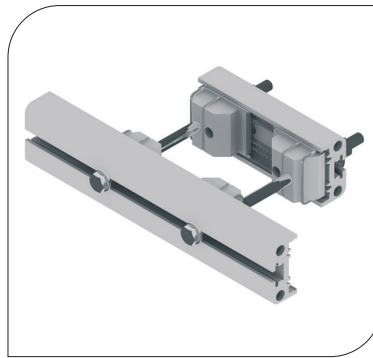
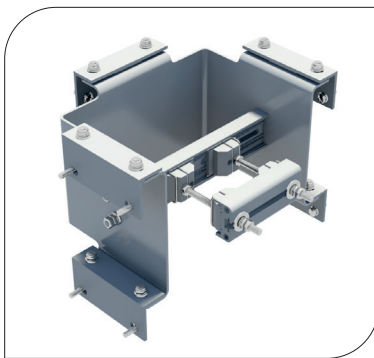
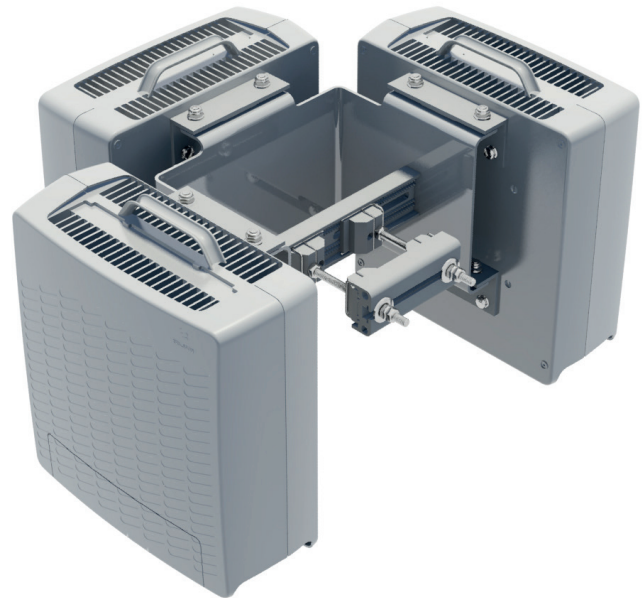
The RRU support can handle a wide range of all common frame leg designs such as round, square, angular, etc.

QUALITY

All components are made of anodized aluminium and acid proof stainless steel which gives the support excellent corrosion resistance.

EASY ASSEMBLY

The support is installed on only one level which makes installation very fast.



ORDER AND TECHNICAL INFORMATION

DRAWING NO: CD 990986

FUNCTION DESCRIPTION: Triple RRU support in aluminium for installation of three RRU units with possibility to attach a PSU on the back. (RRU not included)

MOUNTING SPAN:	TUBES:	SQUARE PROFILES:	90° ANGLE	60° ANGLE
Minimum	Ø25 mm (1,0 in)	35 x 35 mm (1,4 x 1,4 in)	35 x 35 mm (1,4 x 1,4 in)	40 mm (1,6 in) opening
Maximum	Ø120 mm (4,7 in)	90 x 90 mm (3,5 x 3,5 in)	90 x 90 mm (3,5 x 3,5 in)	100 mm (4,0 in) opening

PACKAGE DIMENSIONS: LENGTH: 485 mm (19,1 in) WIDTH: 350 mm (13,8 in) HEIGHT: 285 mm (11,2 in) WEIGHT: 11.9 kg (26,2 lb)

NOTE! RRU is not included.

Quality Design